



INSTRUCTION MANUAL



sim-pole.com



Part list

Parts

Item nr.	Description	Qty
A	Profile 4080 280mm	1
B	Profile 4080 170mm	1
C	Shifter base	1

Fasteners

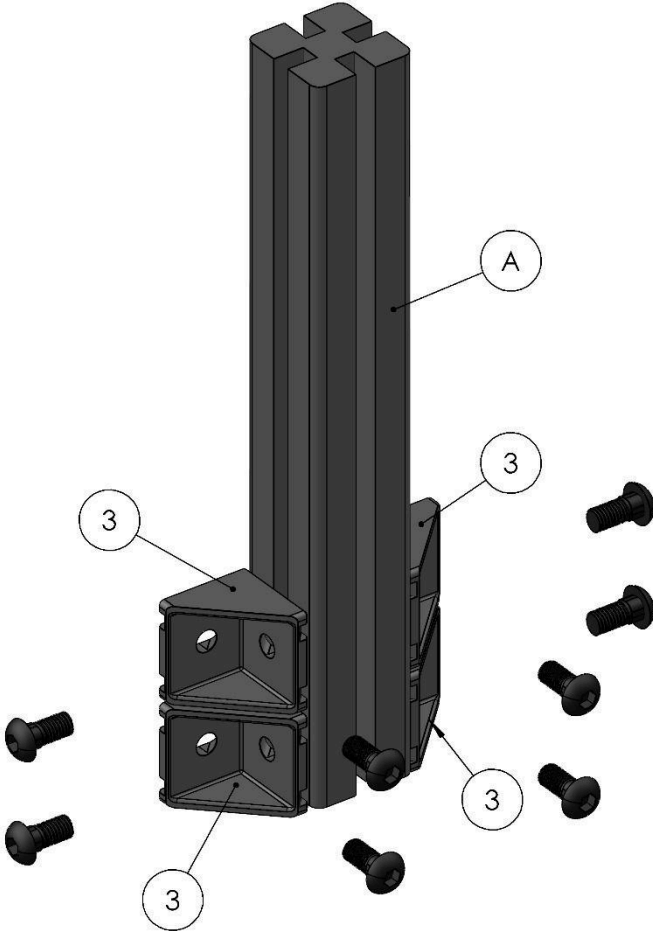
Item nr.	Description	Qty
1	M8 bolt	14
2	M8 t-slot nut	14
3	Corner bracket 4040	6
4	End cap 4080	2

Tools required



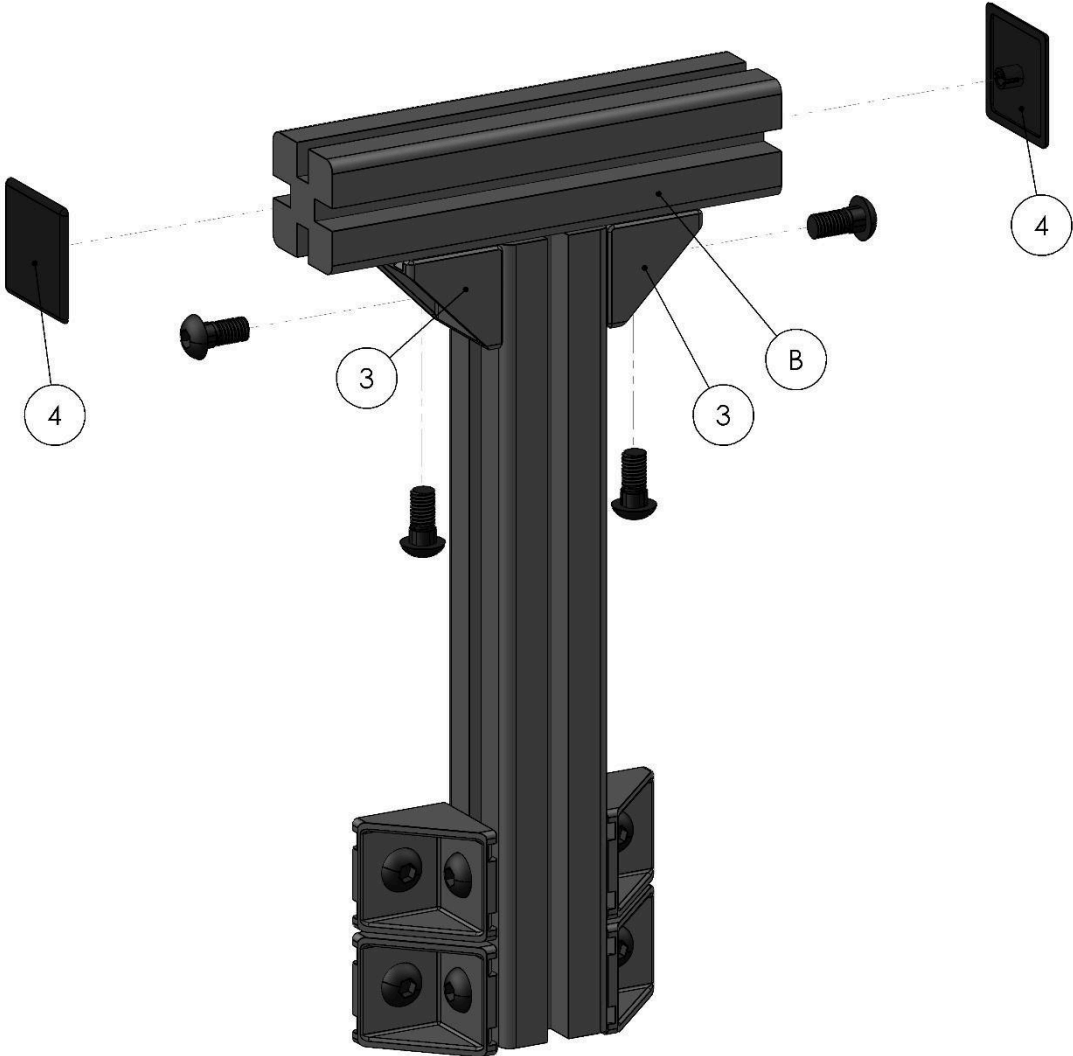
6mm

Step 1



Item nr.	Description	Qty
A	Profile 4080 280mm	1
1	M8 bolt	8
2	M8 t-slot nut	8
3	Corner bracket 4040	4

Step 2



Item nr.	Description	Qty
B	Profile 4080 170mm	1
1	M8 bolt	4
2	M8 t-slot nut	4
3	Corner bracket 4040	2
4	End cap 4040	2

Step 3



Item nr.	Description	Qty
C	Shifter base	1
1	M8 bolt	2
2	M8 t-slot nut	2