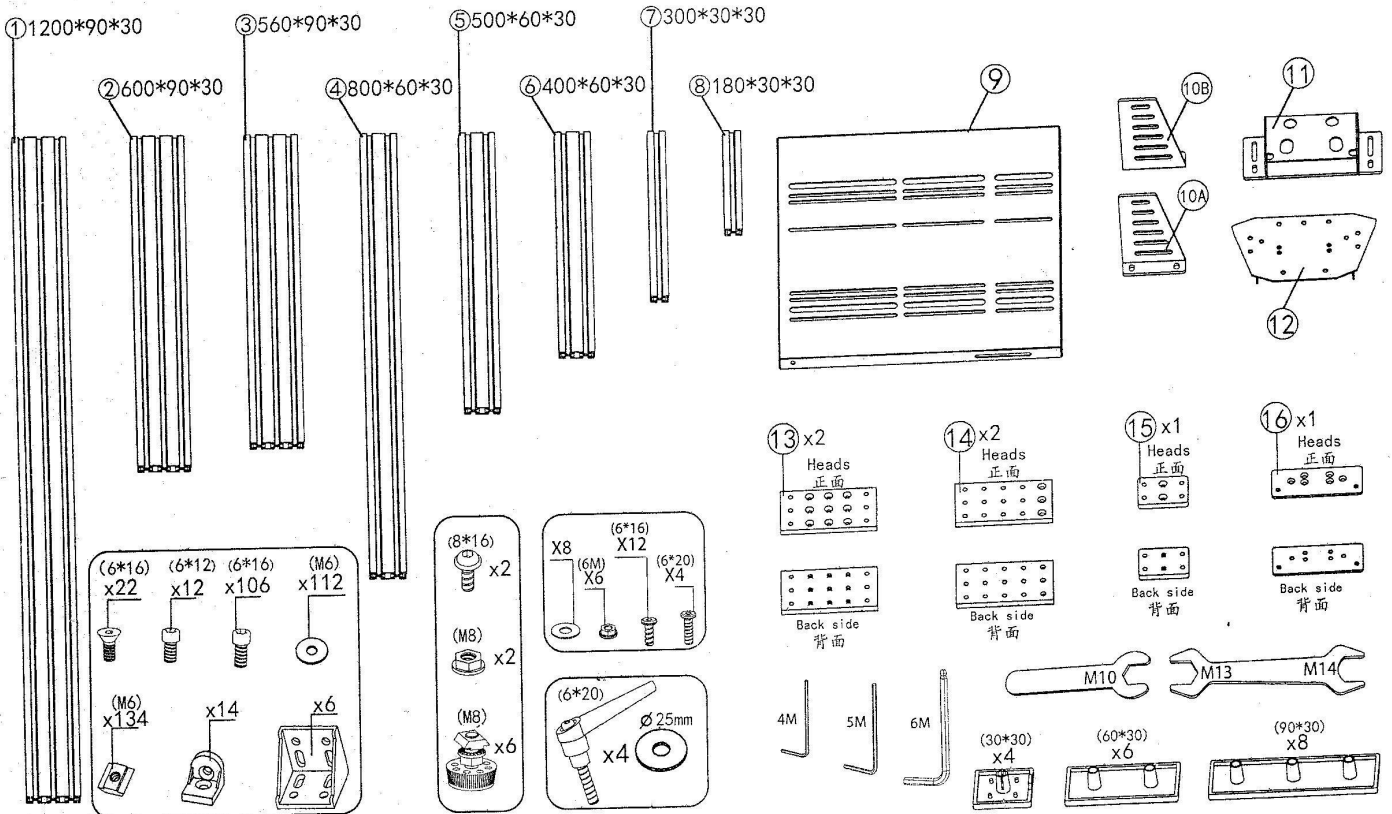
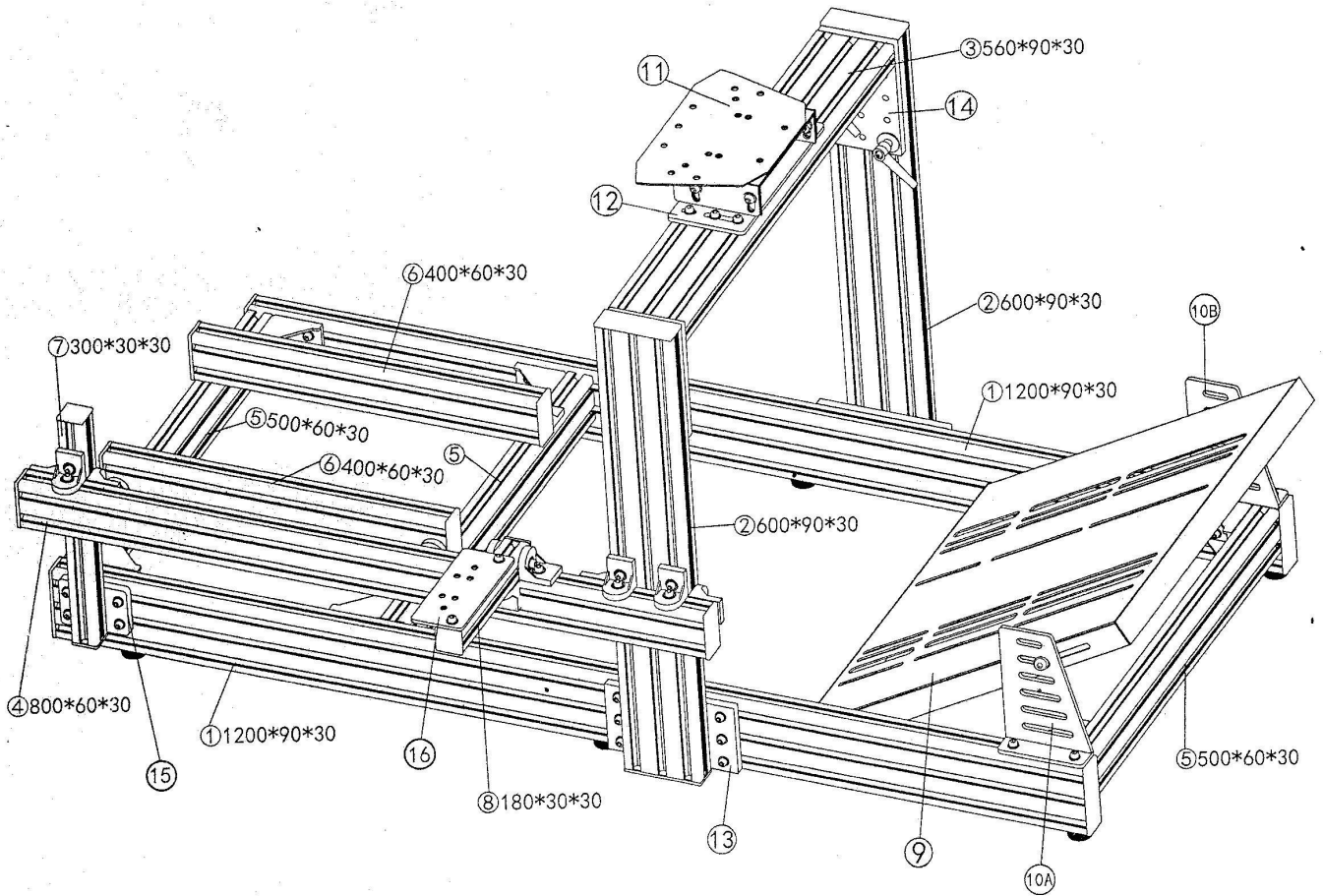
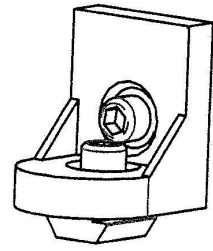
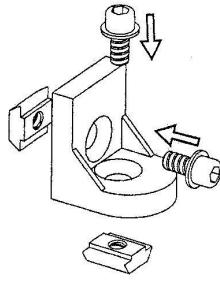
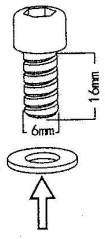




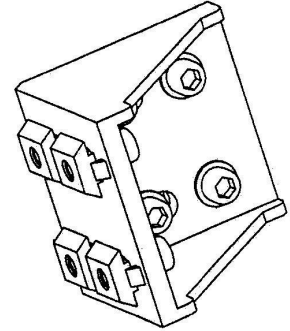
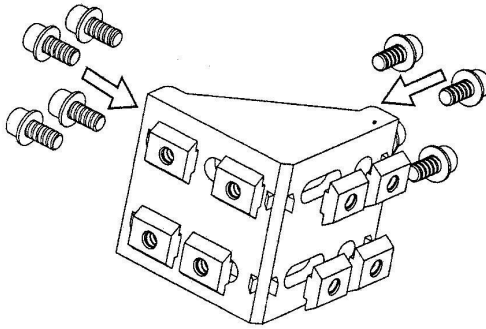
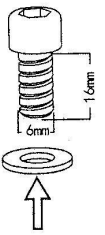
# SIMPOLE PODIUM INSTRUCTION MANUAL



(6\*16)



(6\*16)



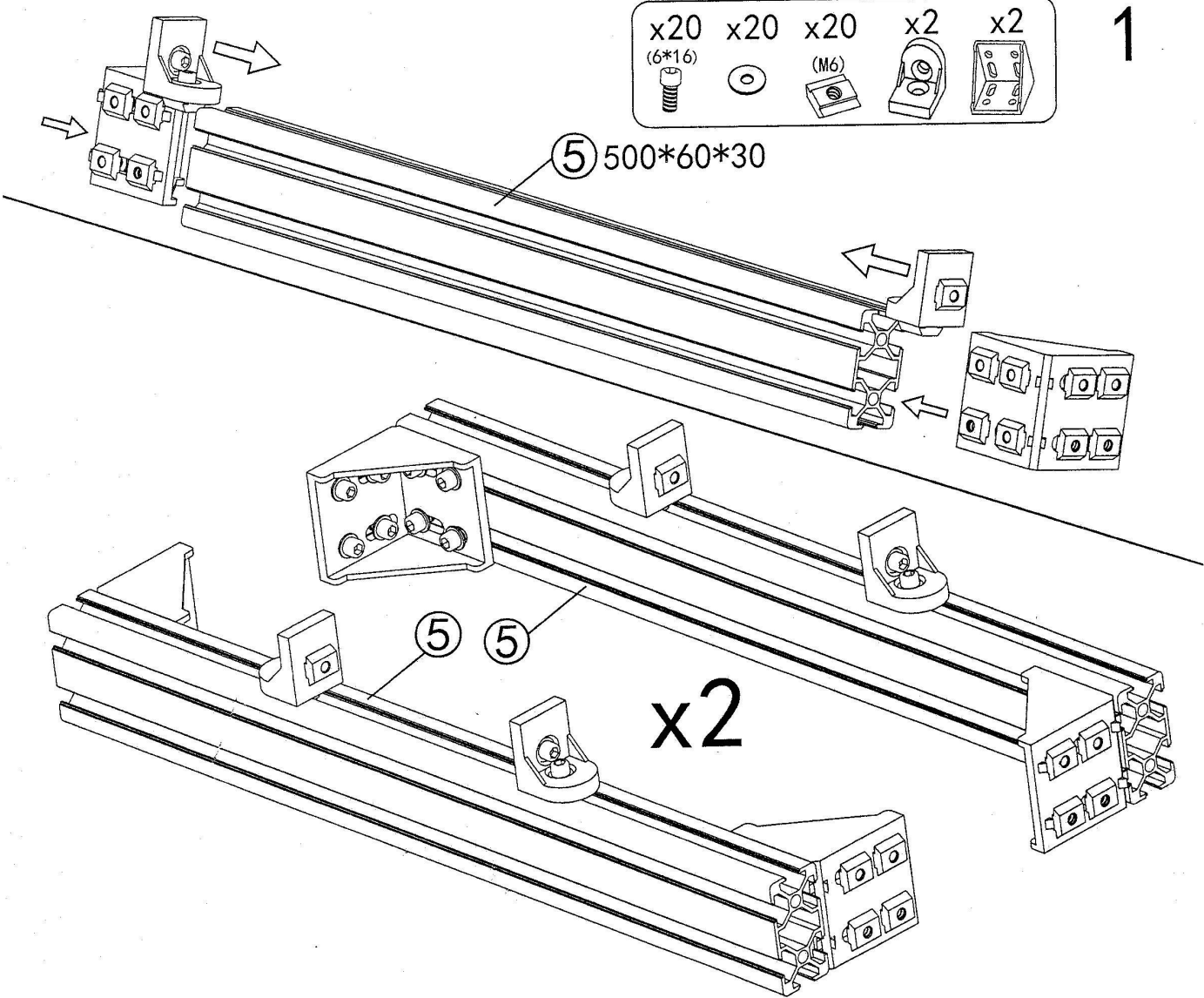
- x20  
(6\*16)
- x20
- x20  
(M6)
- x2
- x2

1

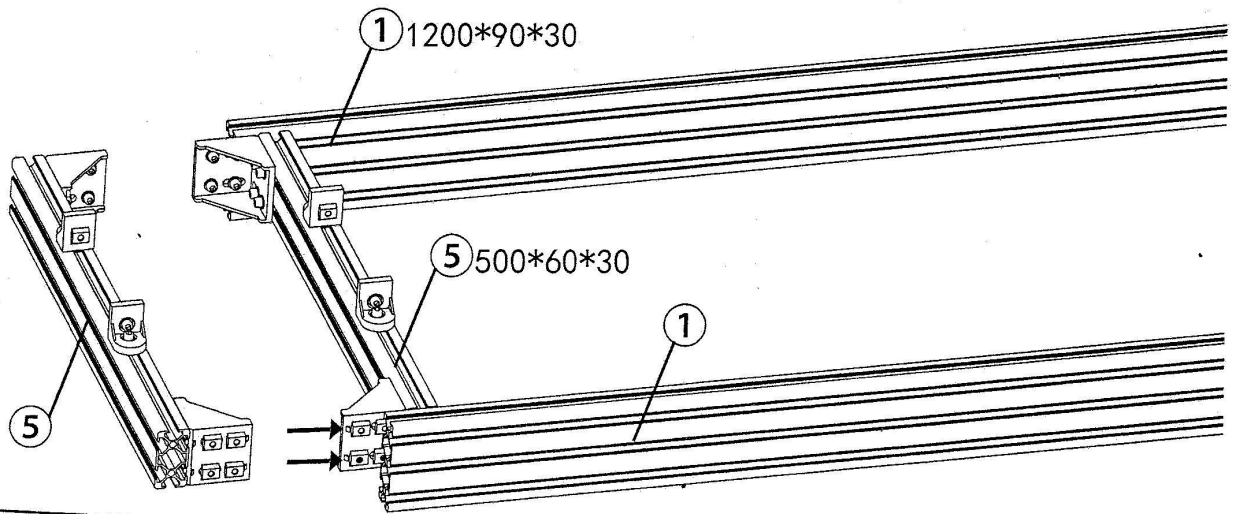
⑤ 500\*60\*30

x2

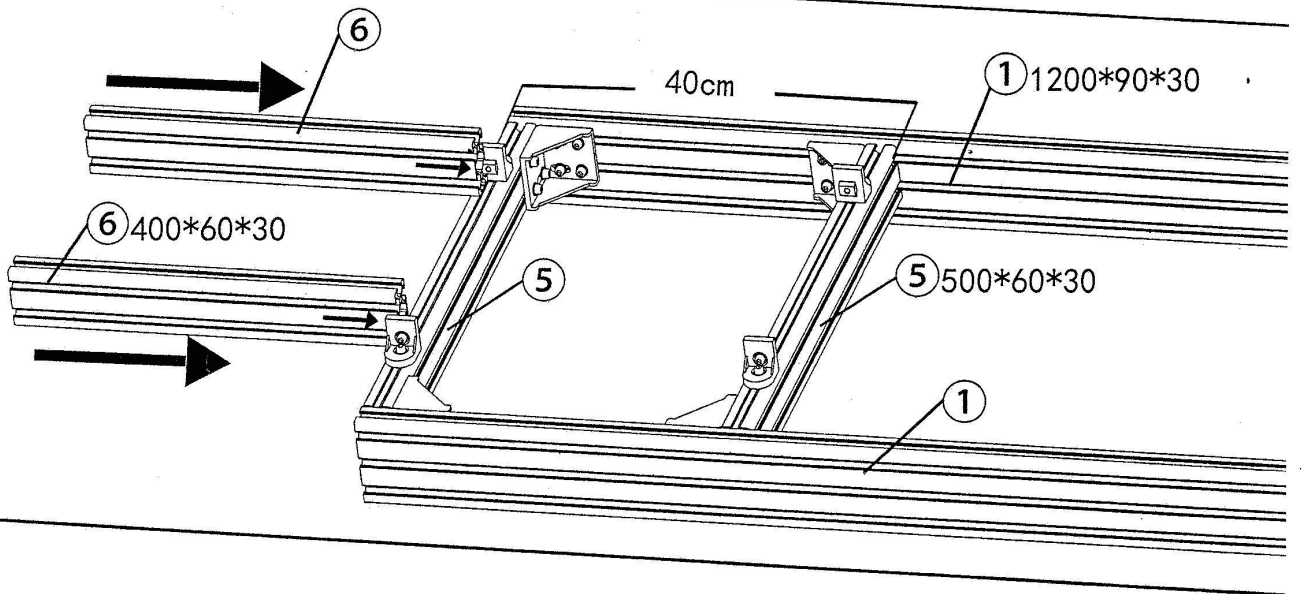
⑤ ⑤



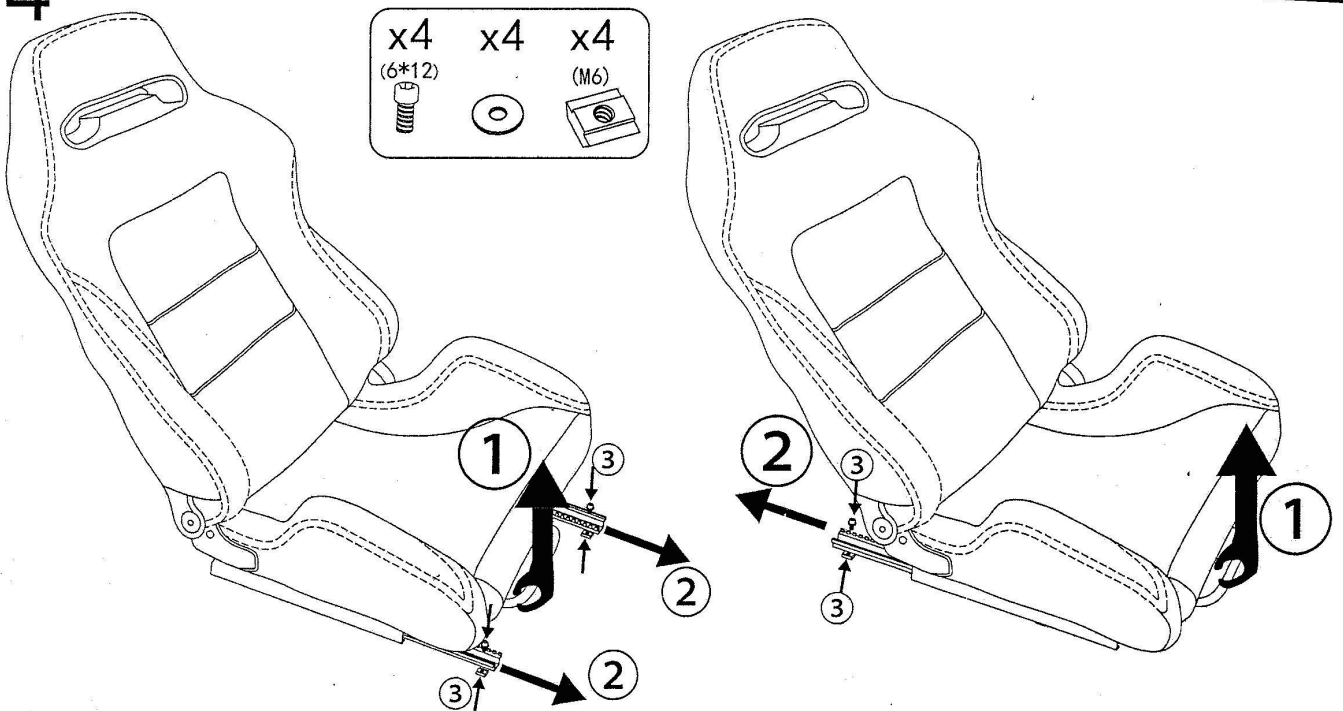
2

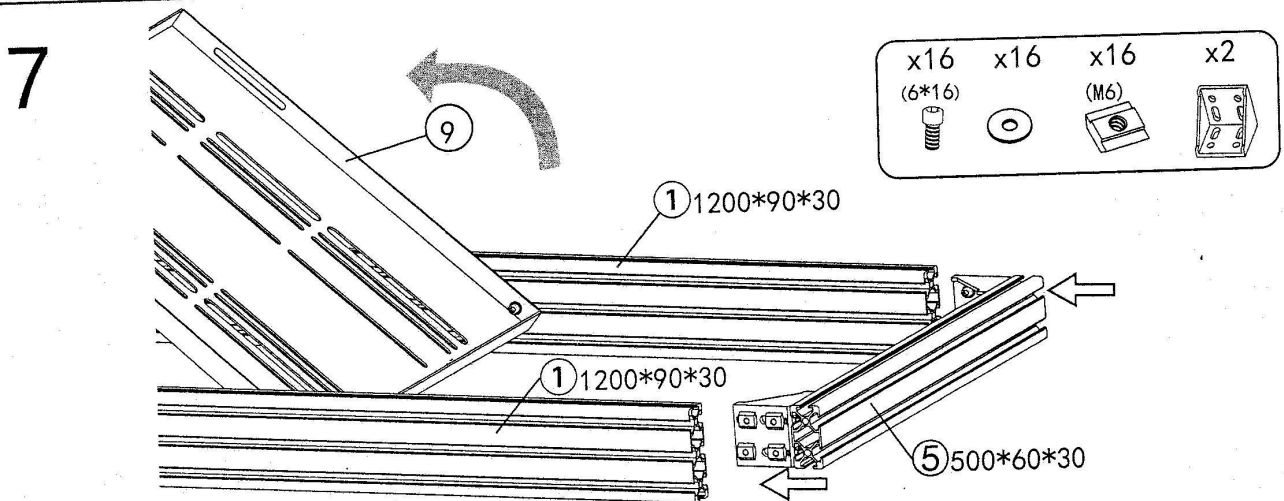
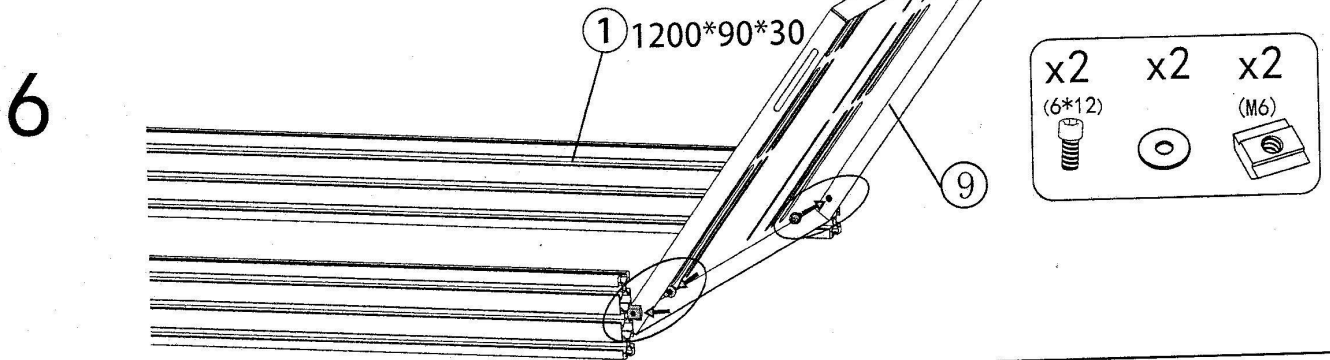
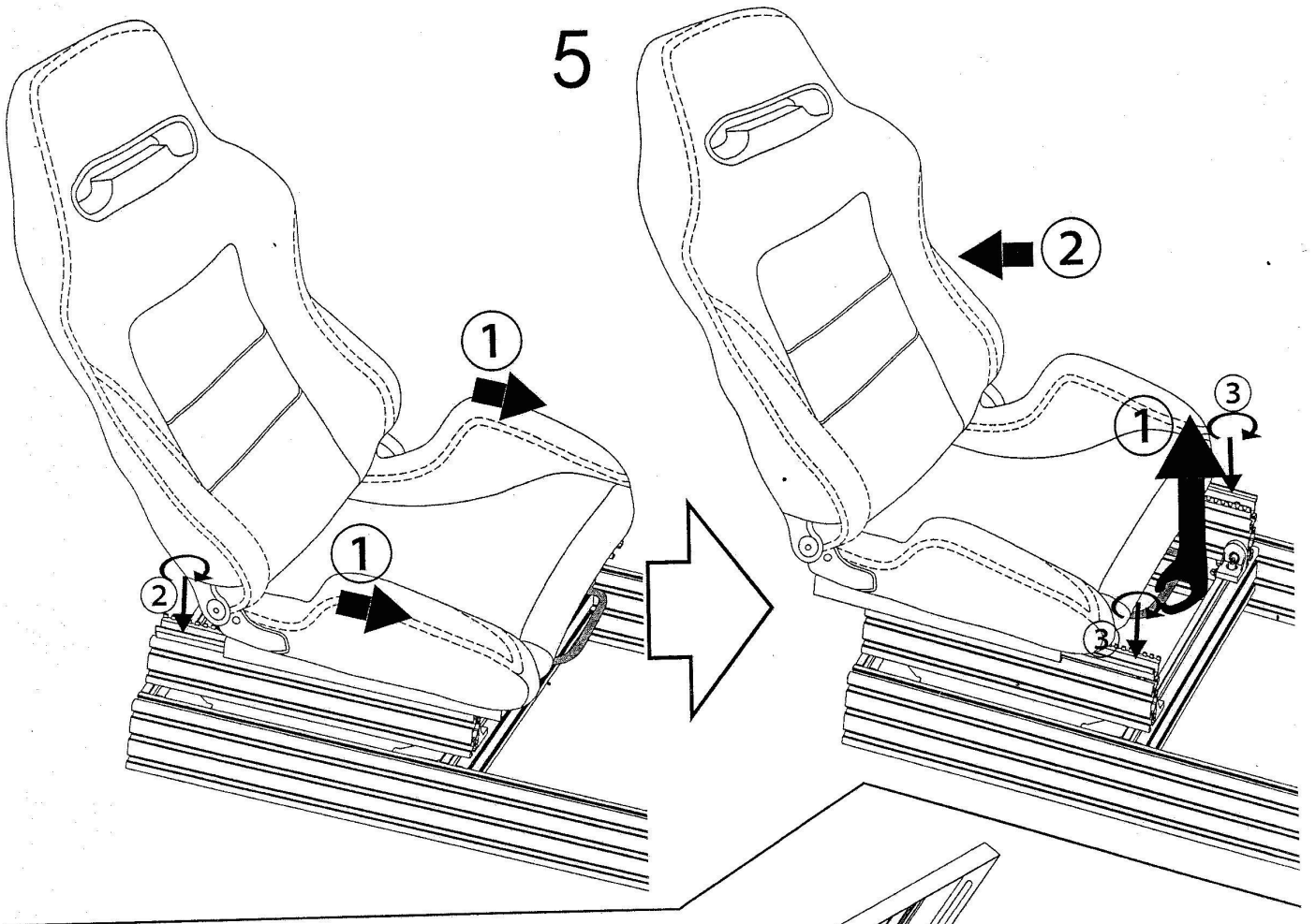


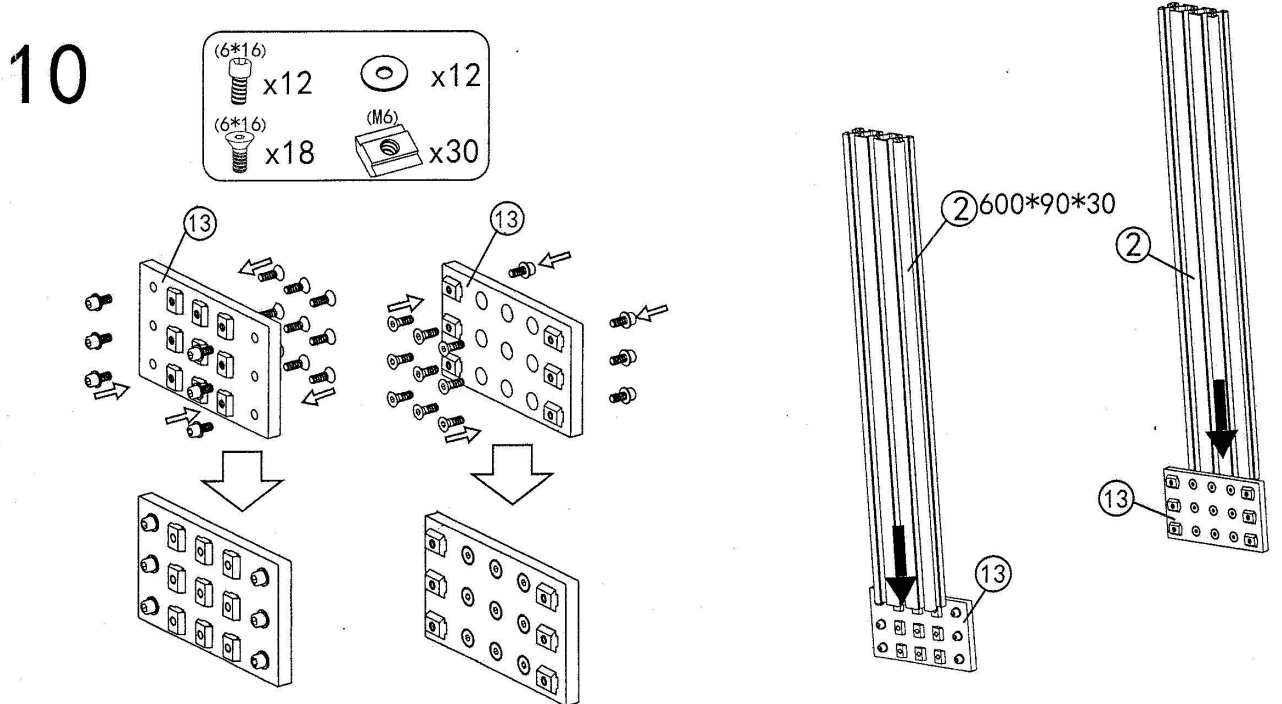
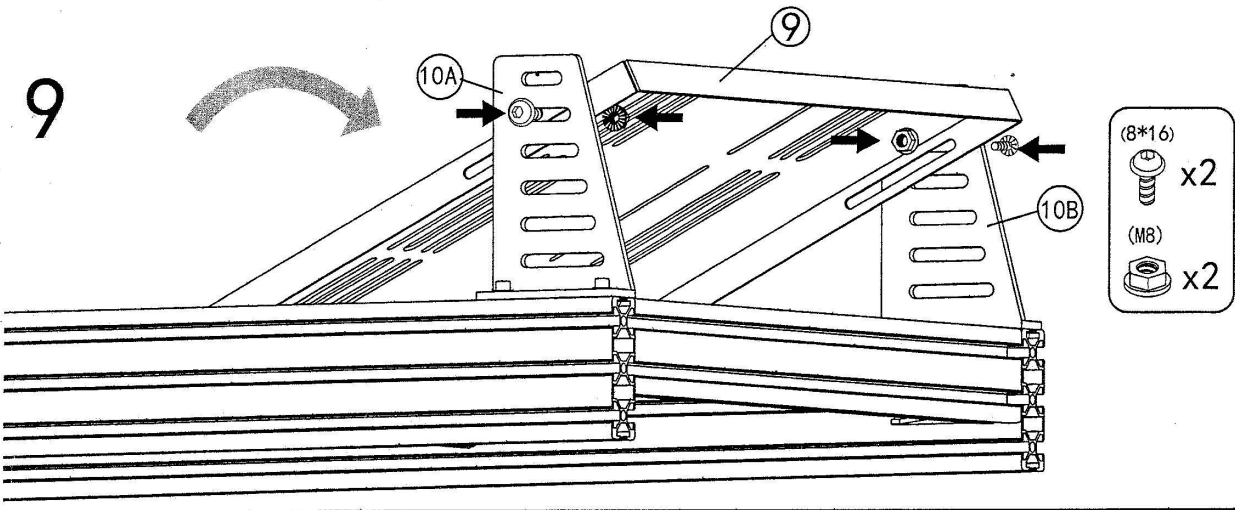
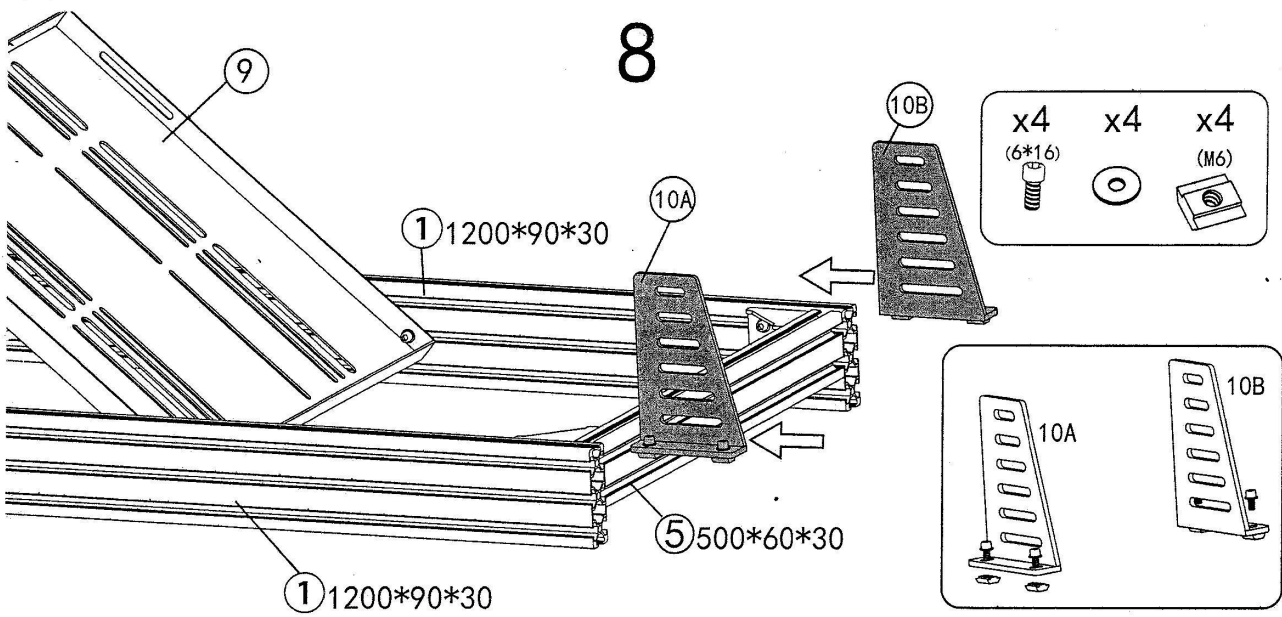
3



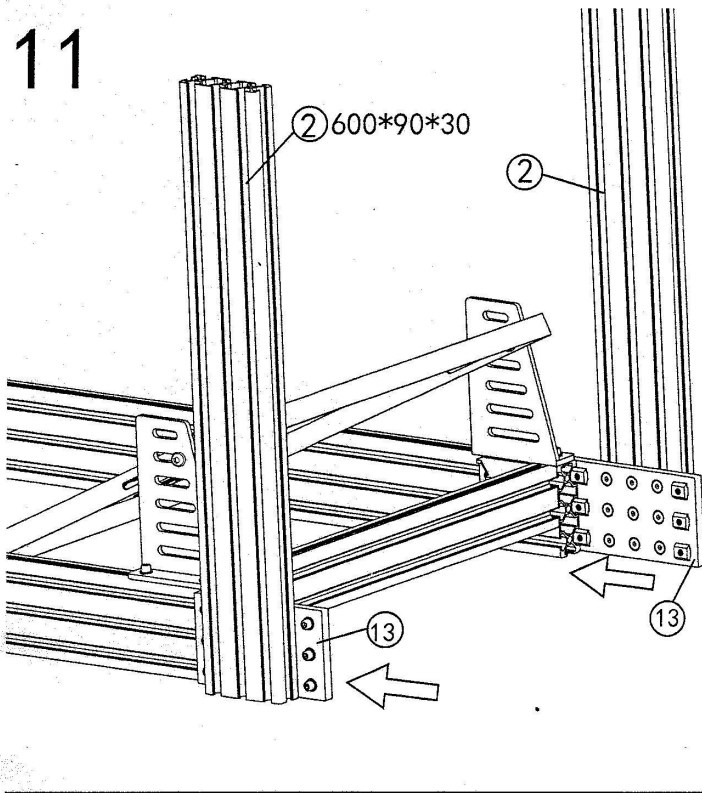
4





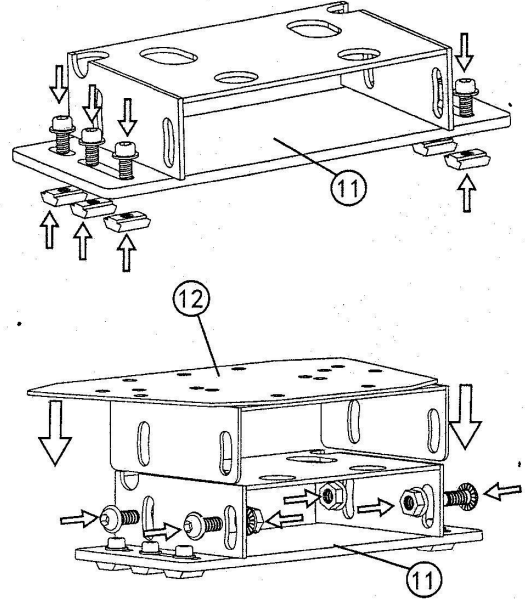


11

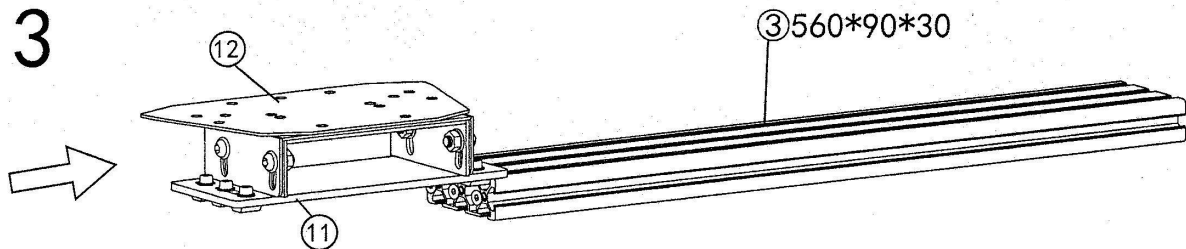


12

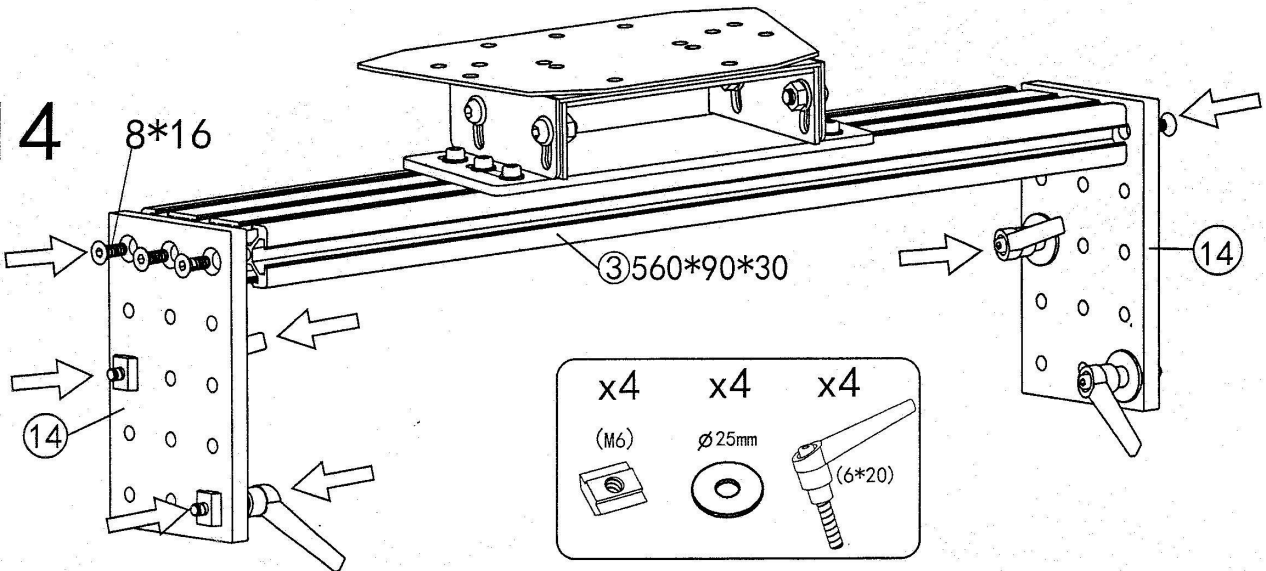
- (6\*12) x6    ○ x6    (8\*16) x4
- (M6) x6    (M8) x4



13

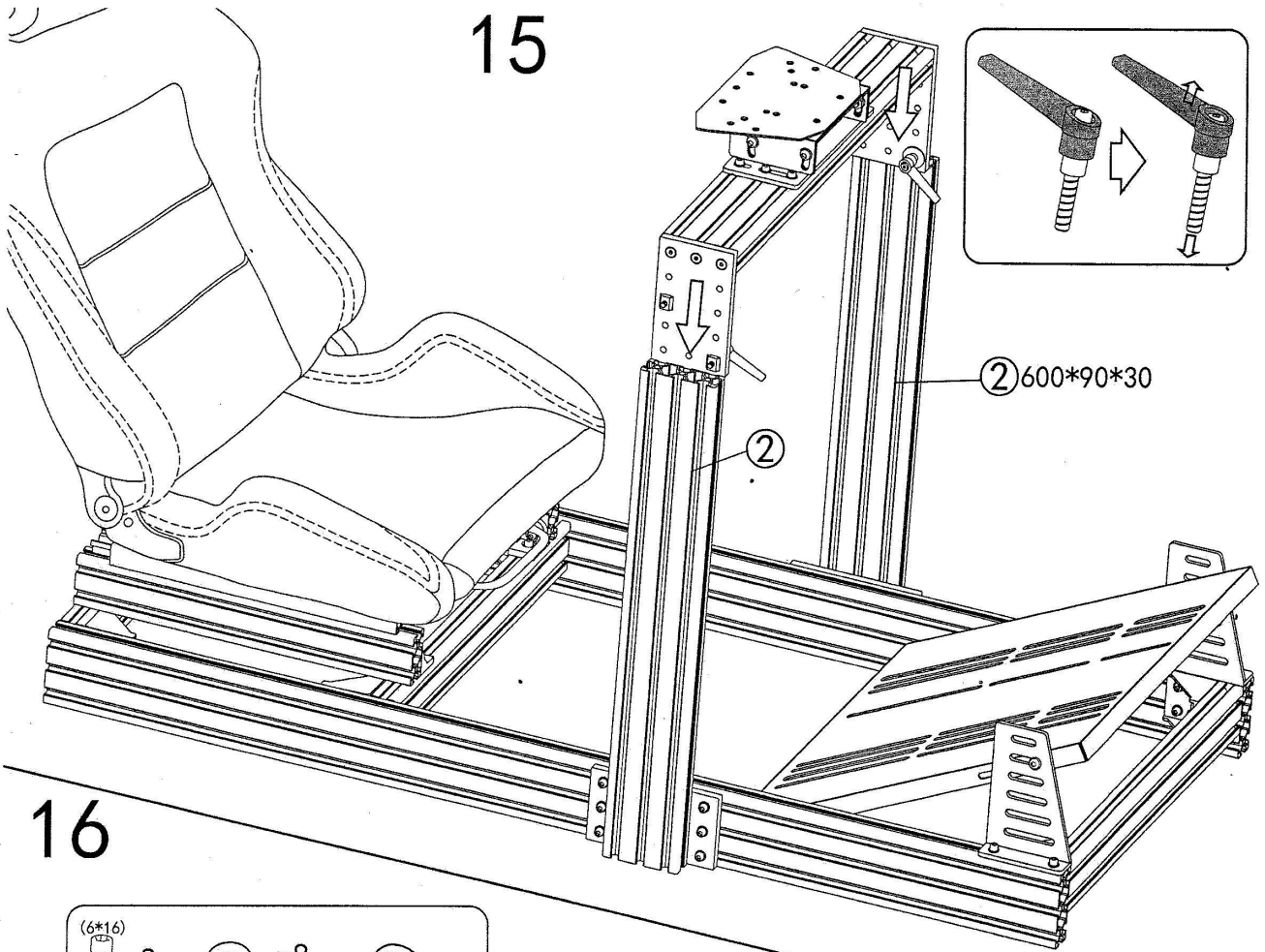


14

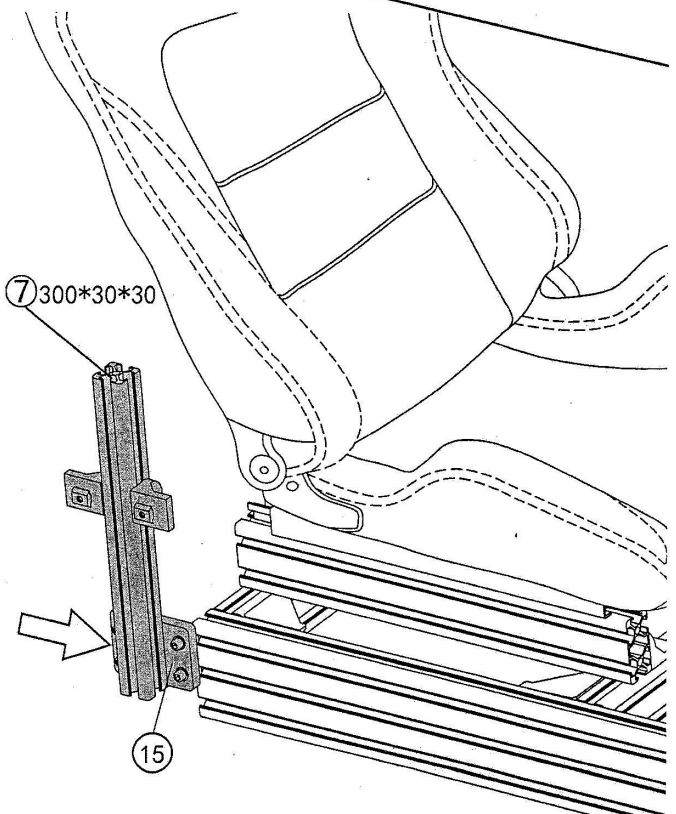
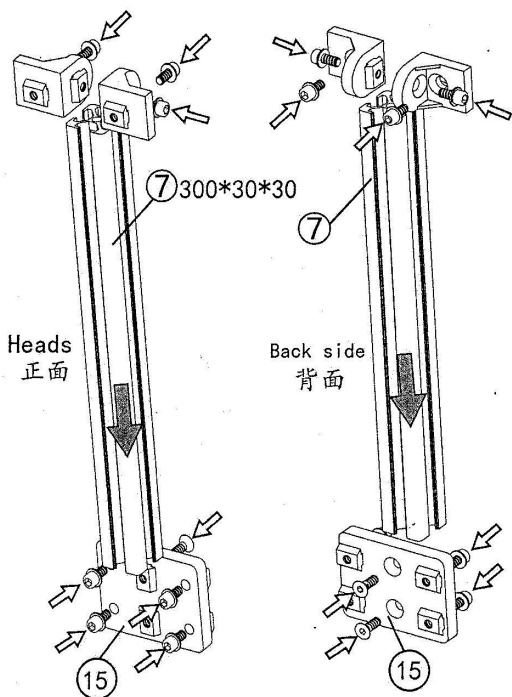
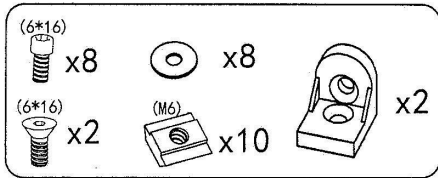


- x4    x4    x4
- (M6)    Ø25mm    (6\*20)

15

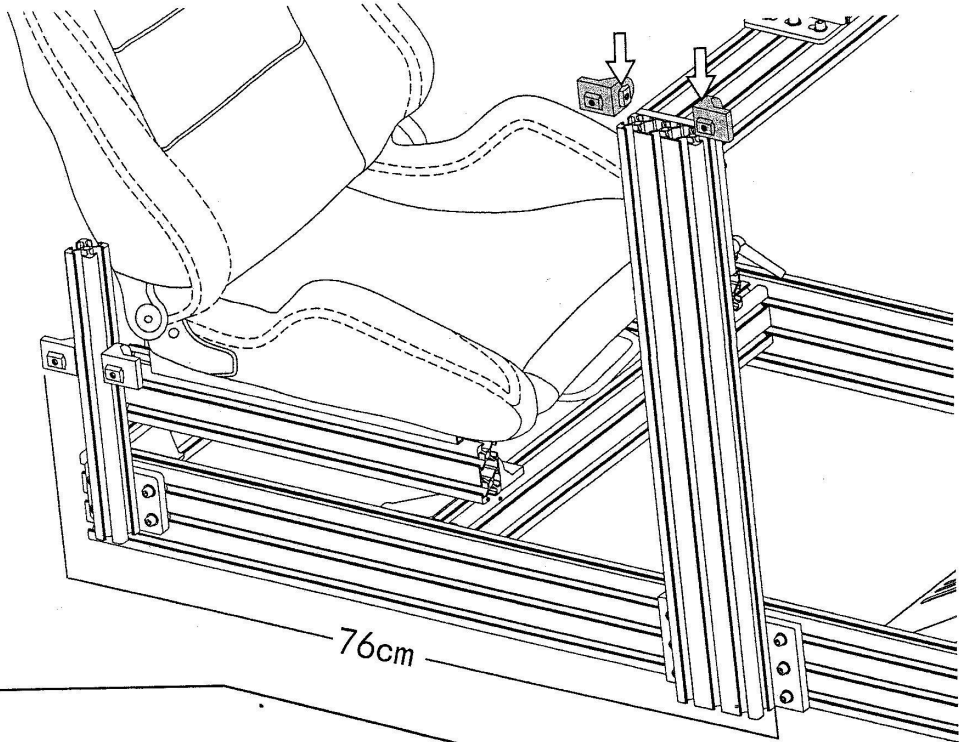


16

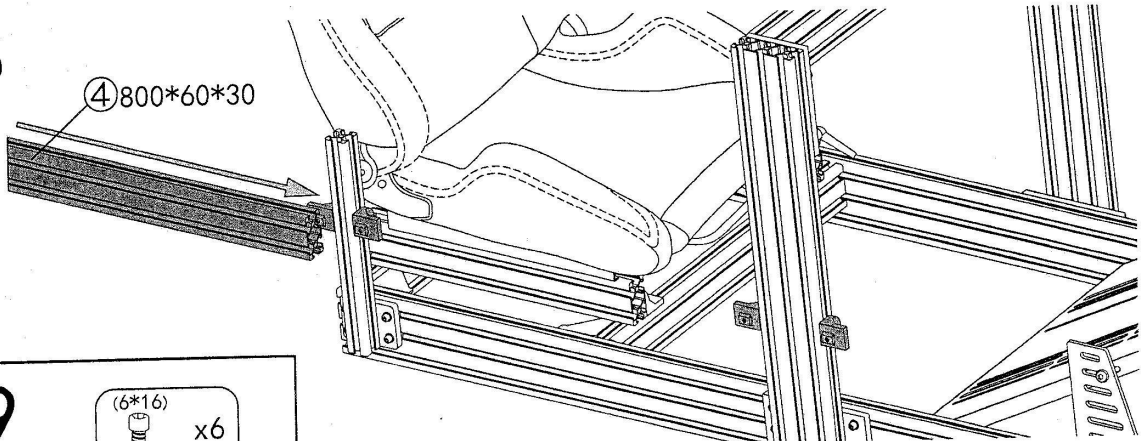


17

- (6\*16) x4
- x4
- (M6) x4
- x2

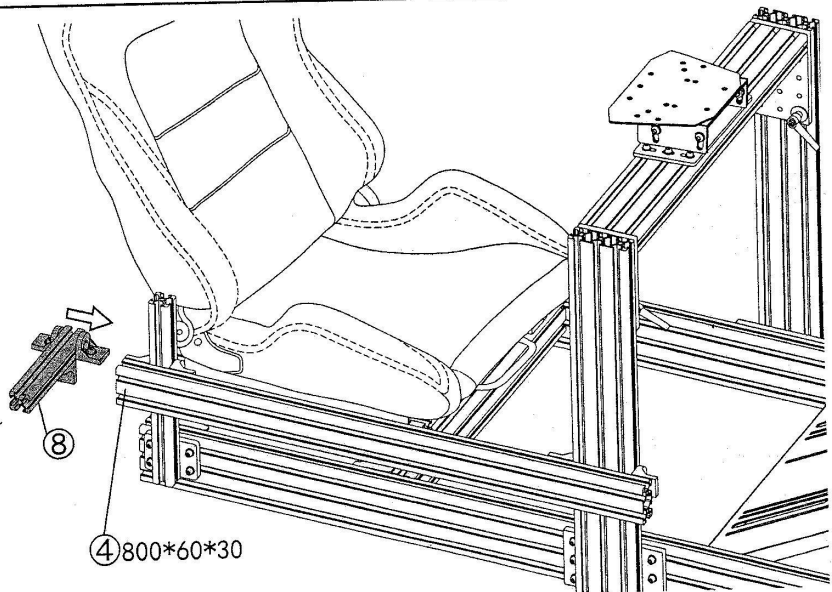
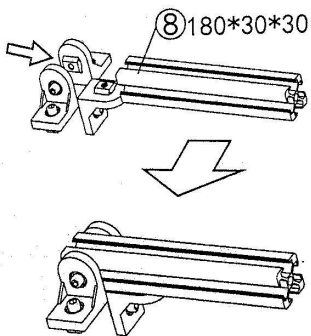


18



19

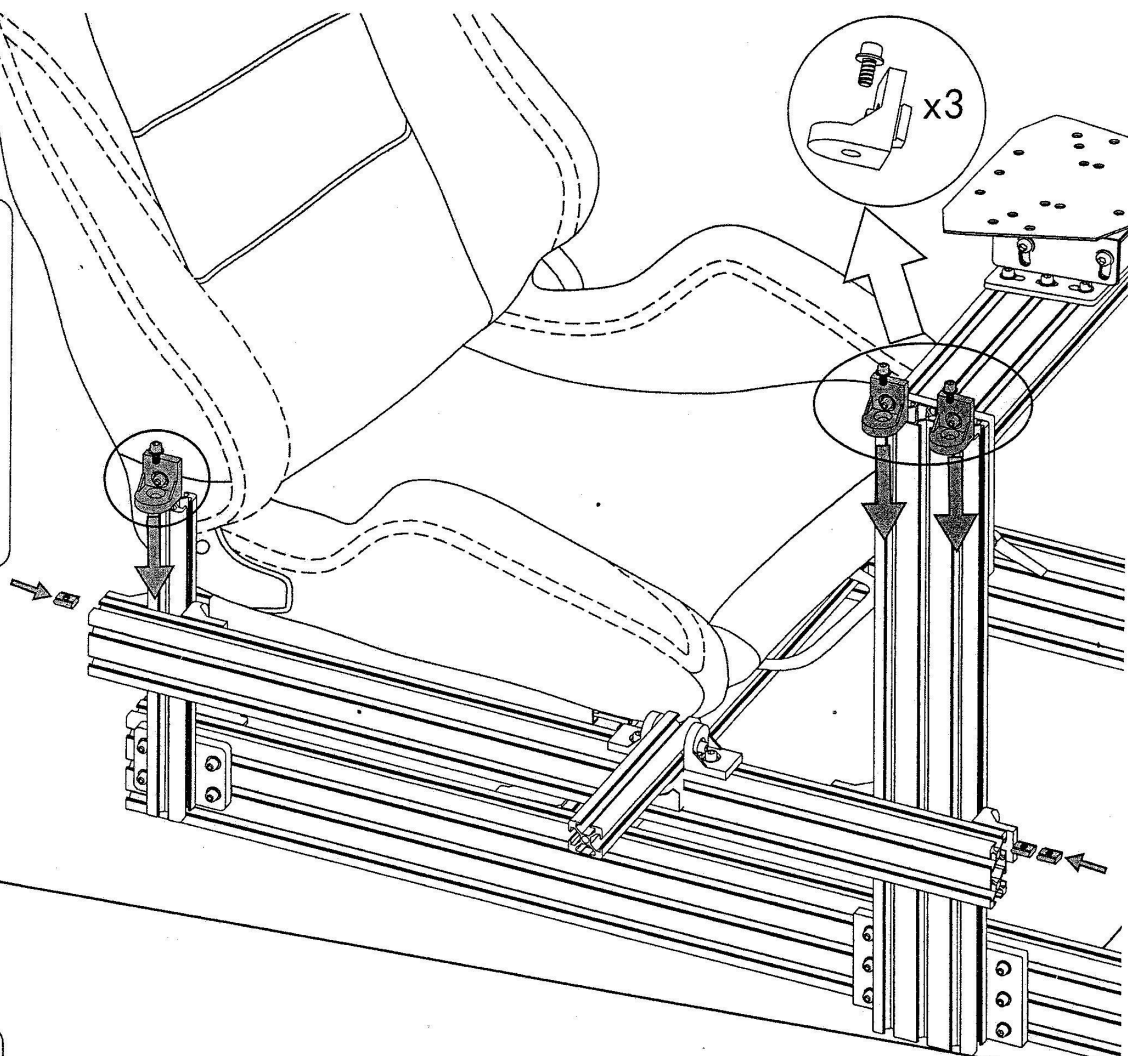
- (6\*16) x6
- x6
- (M6) x6
- x3





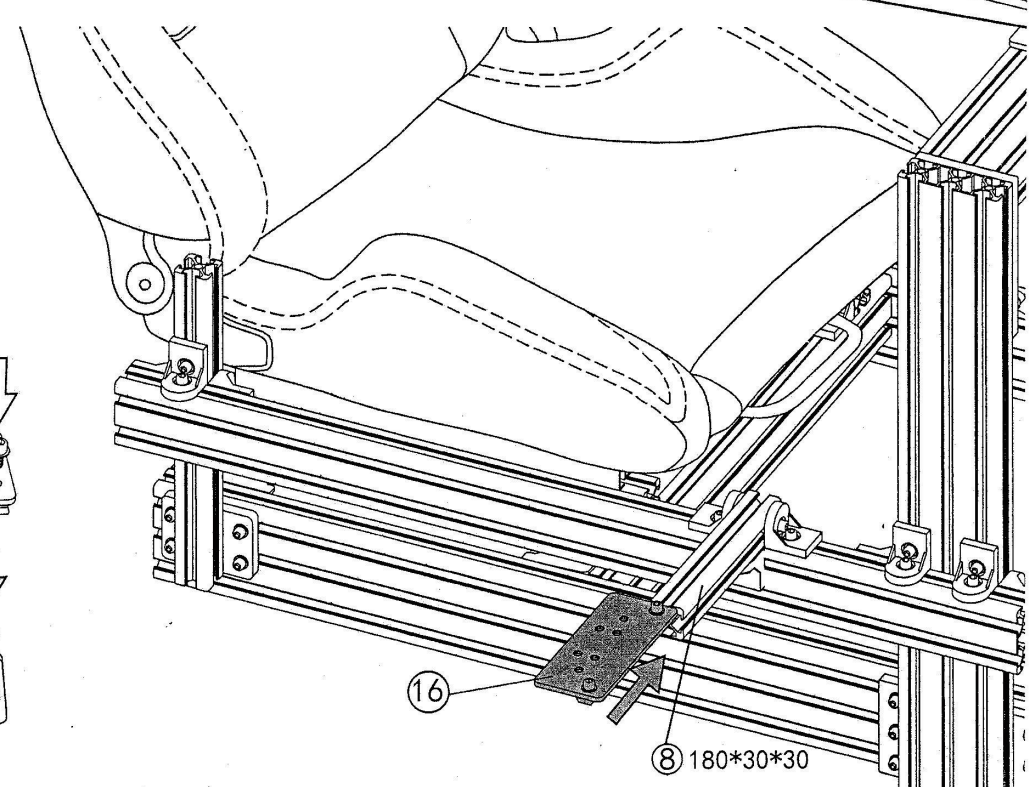
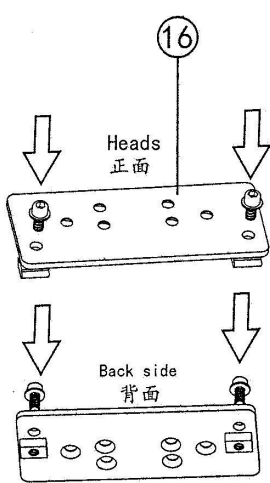
20

- (6\*16) x6
- x6
- (M6) x6
- x3



21

- (6\*16) x2
- x2
- (M6) x2



22

