

SIMPOLE KEYBOARD ON RIG INSTRUCTION MANUAL



Sim-pole.com

Part list

Parts

Item nr.	Description	Qty
A	Profile 4040 500mm	1
B	U-bracket rig	1
C	U-bracket 4040	2
D	Keyboard joint bracket	1
E	Keyboard tray	1
F	Mouse tray	1

Fasteners

Item nr.	Description	Qty
1	M8 bolt	11
2	M8 t-slot nut	11
3	8x45mm axle M6	3
4	M6 nut	3

Tools required

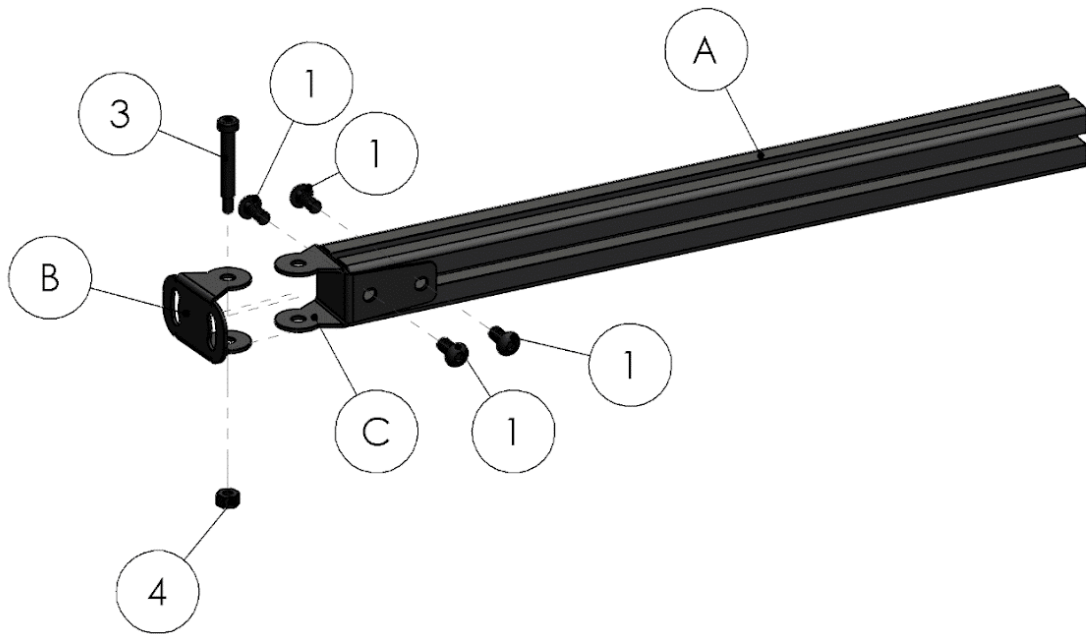


6mm



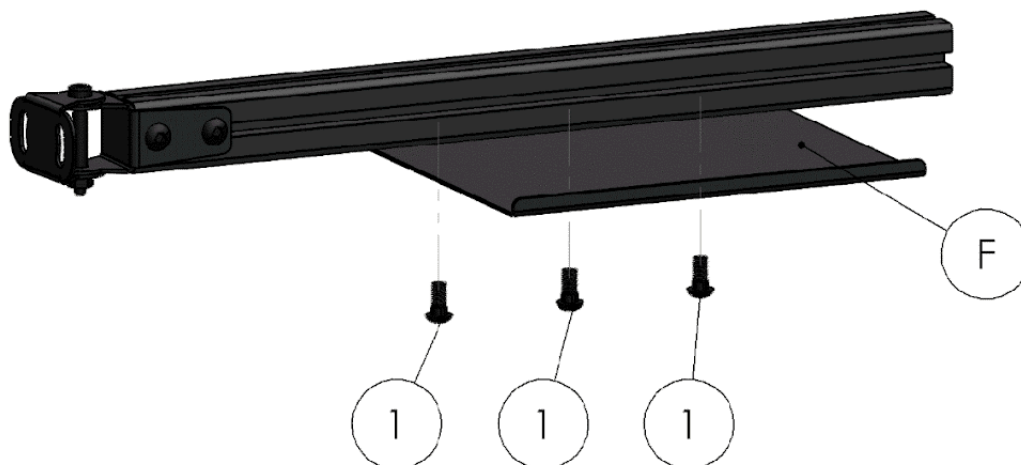
10mm

Step 1



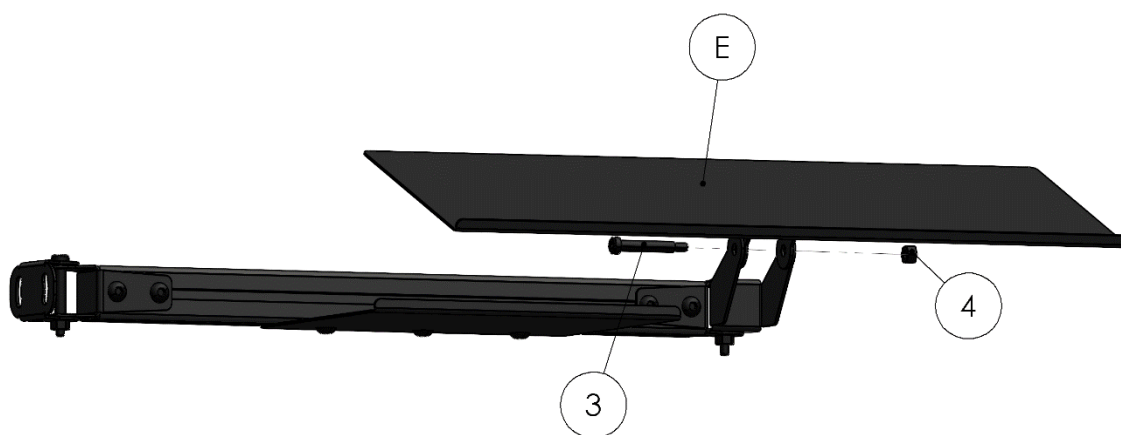
Item nr.	Description	Qty
A	Profile 4040 500mm	1
B	U-bracket rig	1
C	U-bracket 4040	1
1	M8 bolt	4
2	M8 t-slot nut	4
3	8x45mm axle M6	1
4	M6 nut	1

Step 2



Item nr.	Description	Qty
F	Mouse tray	1
1	M8 bolt	3
2	M8 t-slot nut	3

Step 4



Item nr.	Description	Qty
E	Keyboard tray	1
3	8x45mm axle M6	1
4	M6 nut	1

Sim-pole.com