

# INSTRUCTION MANUAL



[sim-pole.com](https://sim-pole.com)

# Part list

## Parts

Item nr.	Description	Qty
A	Profile 4080 1300mm	2
B	Profile 4080 540mm	1
C	Profile 4040 524mm	2
D1	Seat side plate left	1
D2	Seat side plate right	1
E	Profile 4080 800mm	2
F1	Side plate left	1
F2	Side plate right	1
G	Profile 4040 380mm	2
H	Paddle bar	2
I	Paddle bracket	4
J	Profile 4040 250mm	3
K	Wheel plate	1
L	Wheel base bracket	2
M	Grill plate	1
N	Profile 4080 540mm	1
O	Profile 4080 150mm	2
P1	TV horn left	1
P2	TV horn right	1
Q	Profile 4040 150mm	1
R	Gear shifter side plate	1
S	Gear shifter bracket	1
T	Gear shifter Base plate	1

## Fasteners

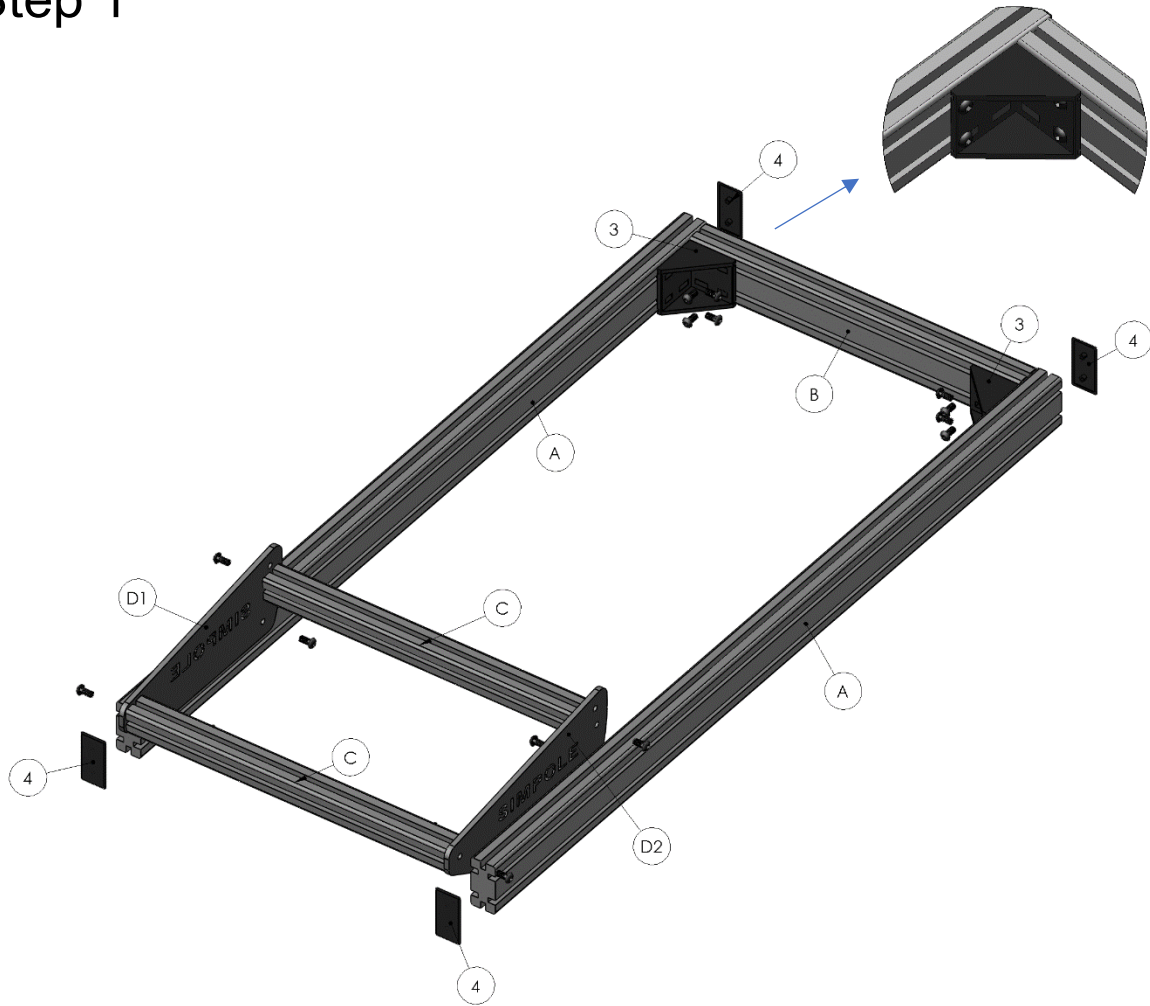
Item nr.	Description	Qty
1	M8x20 bolt	94
2	M8 t-slot nut	94
3	Corner bracket 8080	4
4	End cap 4040	10
5	End cap 4080	10

## Tools required



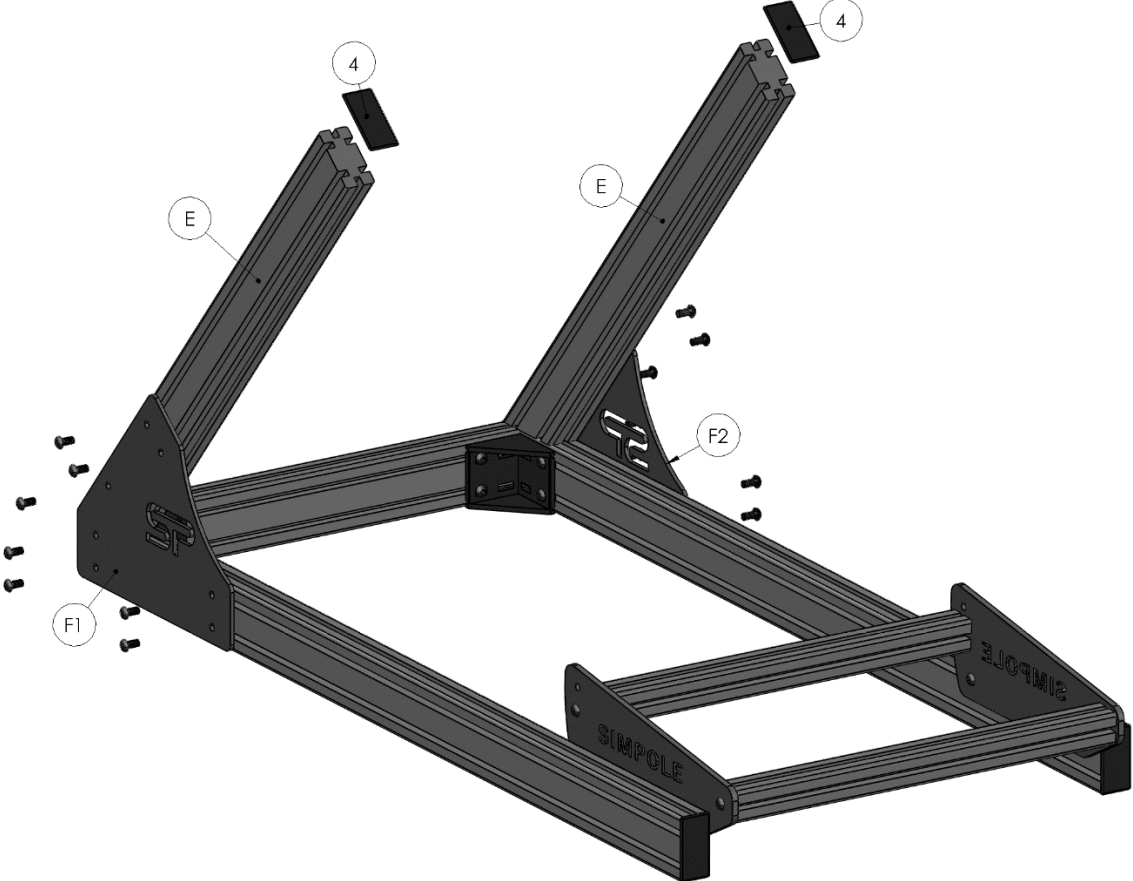
6mm

# Step 1



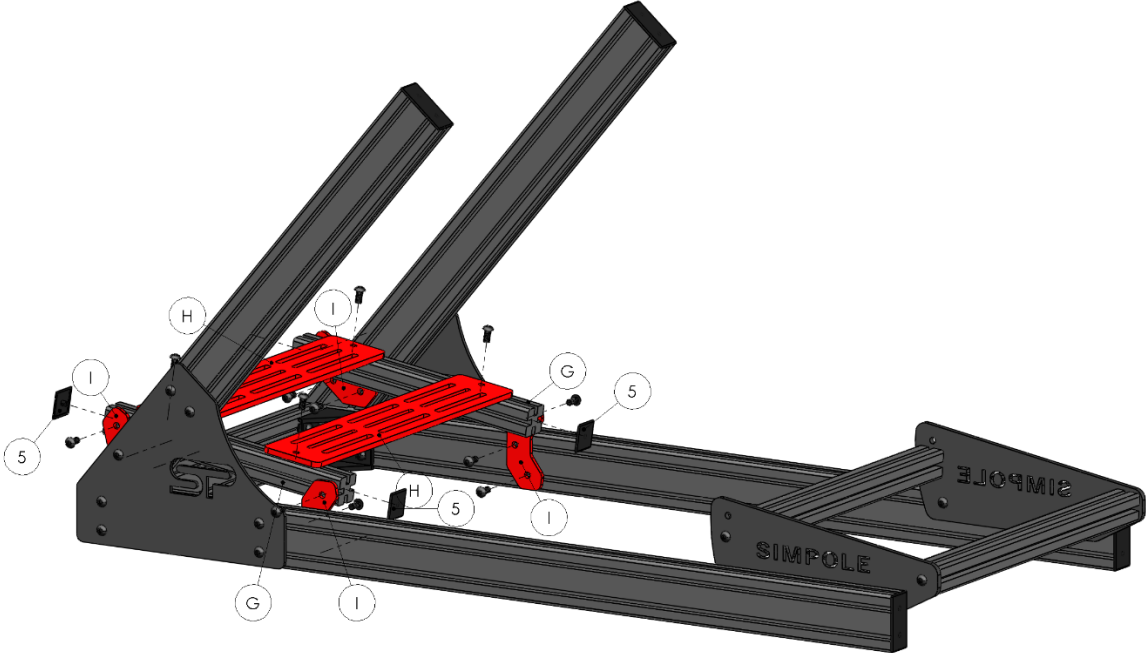
Item nr.	Description	Qty
<b>A</b>	Profile 4080 1300mm	2
<b>B</b>	Profile 4080 540mm	1
<b>C</b>	Profile 4040 524mm	2
<b>D1</b>	Seat side plate left	1
<b>D2</b>	Seat side plate right	1
<b>1</b>	M8x20 bolt	16
<b>2</b>	M8 t-slot nut	16
<b>3</b>	Corner bracket 8080	2
<b>4</b>	End cap 4080	4

# Step 2



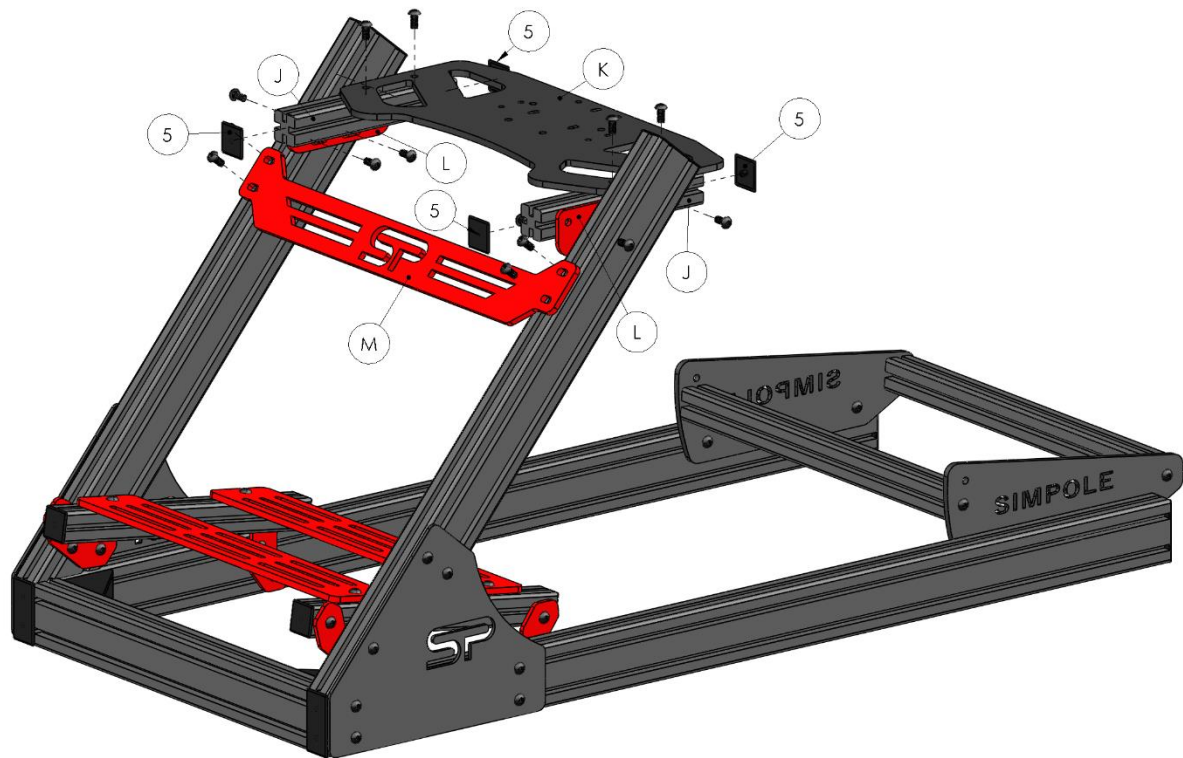
Item nr.	Description	Qty
<b>E</b>	Profile 4080 800mm	2
<b>F1</b>	Side plate left	1
<b>F2</b>	Side plate right	1
<b>1</b>	M8x20 bolt	14
<b>2</b>	M8 t-slot nut	14
<b>4</b>	End cap 4080	2

# Step 3



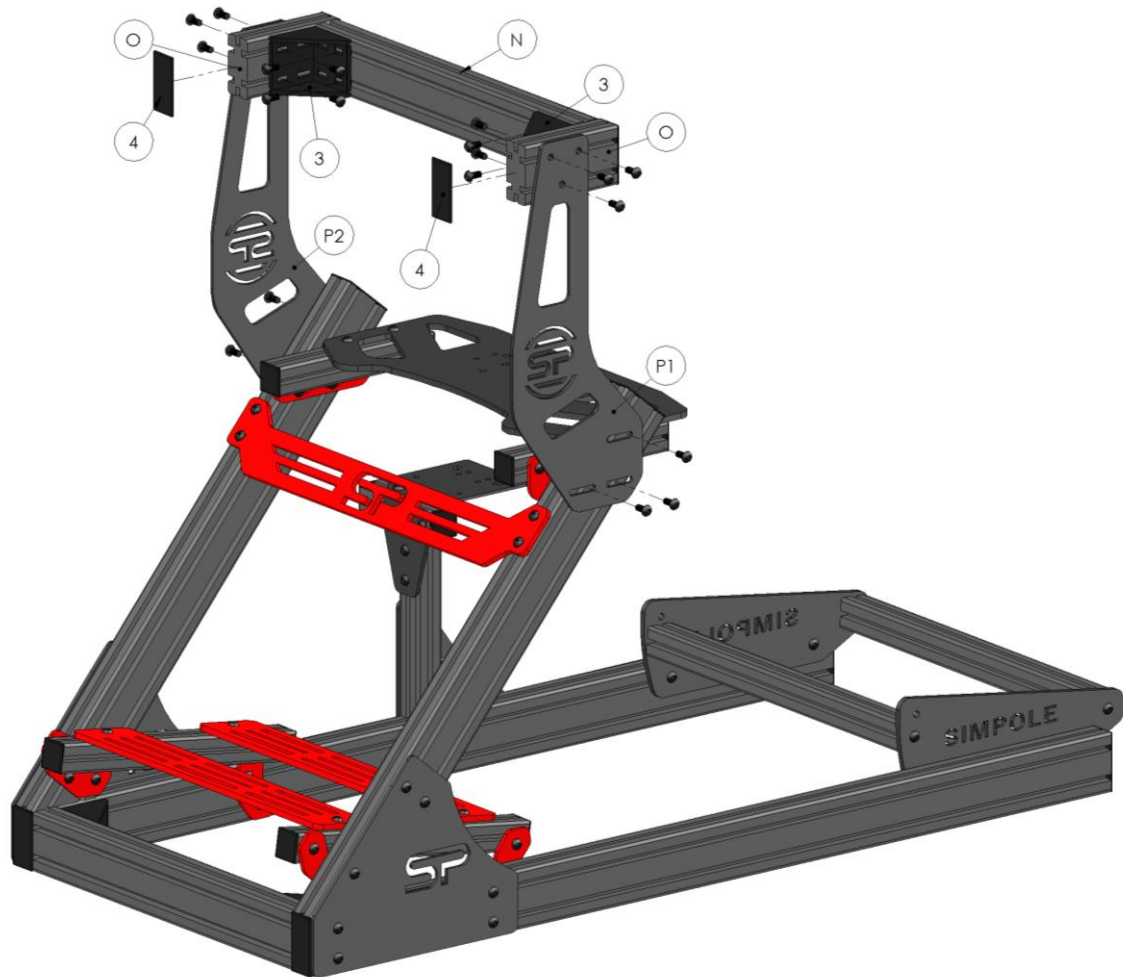
Item nr.	Description	Qty
<b>G</b>	Profile 4040 380mm	2
<b>H</b>	Paddle bar	2
<b>I</b>	Paddle bracket	4
<b>1</b>	M8x20 bolt	16
<b>2</b>	M8 t-slot nut	16
<b>5</b>	End cap 4040	4

## Step 4



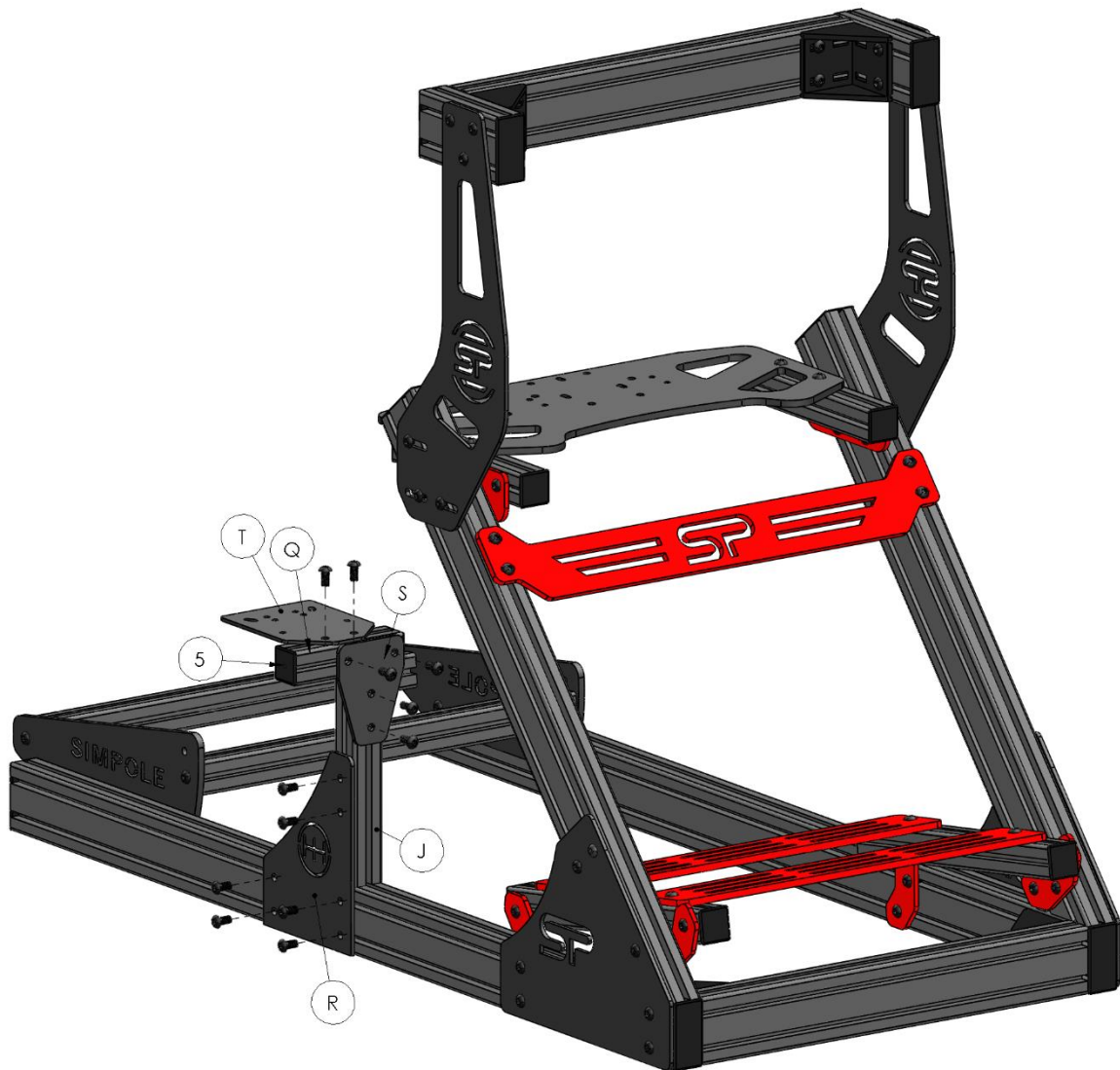
Item nr.	Description	Qty
<b>J</b>	Profile 4040 250mm	2
<b>K</b>	Wheel plate	1
<b>L</b>	Wheel base bracket	2
<b>M</b>	Grill plate	1
<b>1</b>	M8x20 bolt	16
<b>2</b>	M8 t-slot nut	16
<b>5</b>	End cap 4040	4

## Step 5



Item nr.	Description	Qty
<b>N</b>	Profile 4080 540mm	1
<b>O</b>	Profile 4080 150mm	2
<b>P1</b>	TV horn left	1
<b>P2</b>	TV horn right	1
<b>1</b>	M8x20 bolt	20
<b>2</b>	M8 t-slot nut	20
<b>4</b>	End cap 4080	4

## Step 6



Item nr.	Description	Qty
J	Profile 4040 250mm	1
Q	Profile 4040 150mm	1
R	Gear shifter side plate	1
S	Gear shifter bracket	1
T	Gear shifter Base plate	1
1	M8x20 bolt	12
2	M8 t-slot nut	12
5	End cap 4040	2