



# INSTRUCTION MANUAL



**[sim-pole.com](https://sim-pole.com)**



# Part list

## Parts

Item nr.	Description	Qty
A	Profile 4080 600mm	1
B	Profile 4080 170mm	1
C	Shifter base	1
D1	Shifter bracket left	1
D2	Shifter bracket right	1

## Fasteners

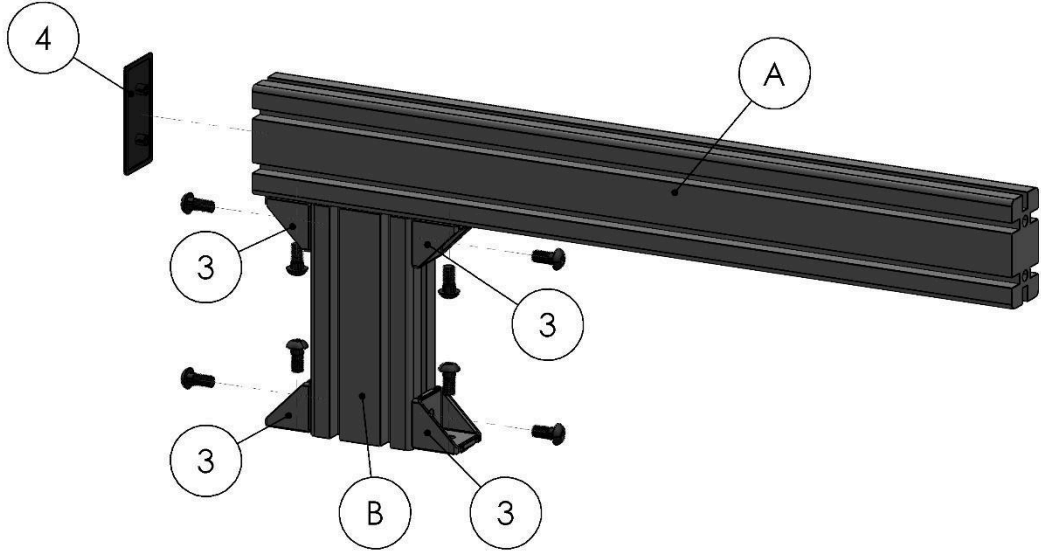
Item nr.	Description	Qty
1	M8 bolt	20
2	M8 t-slot nut	20
3	Corner bracket 4040	4
4	End cap 4080	1

## Tools required



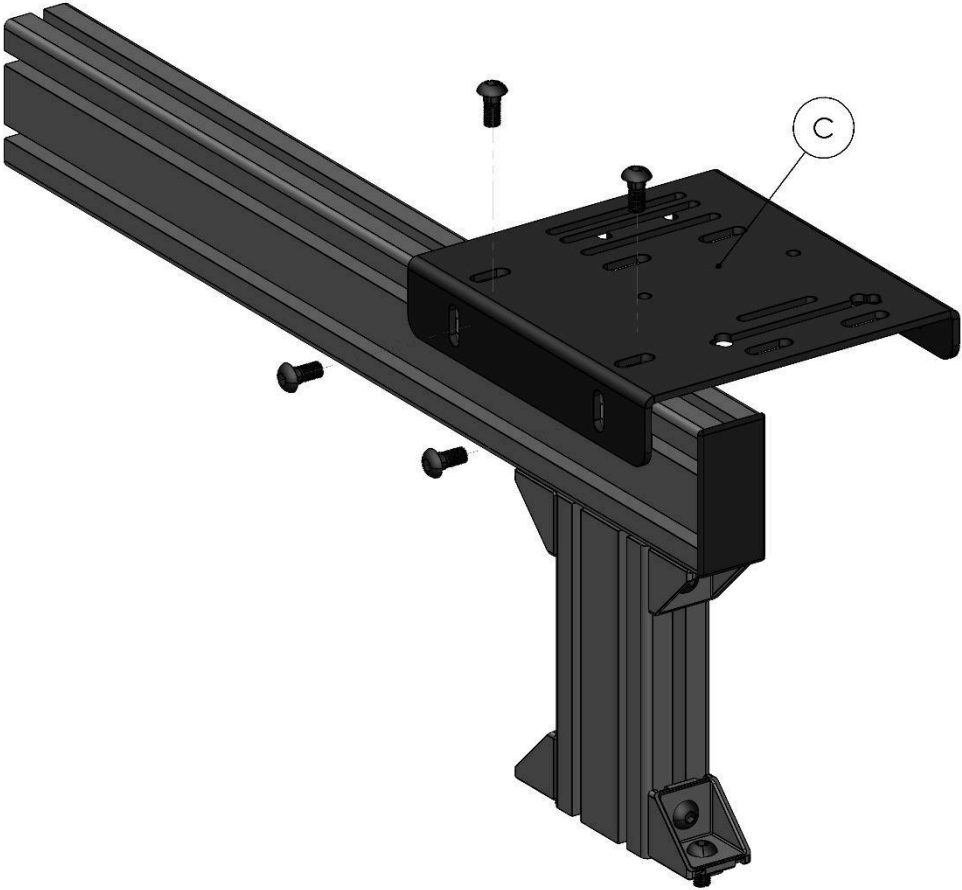
6mm

# Step 1



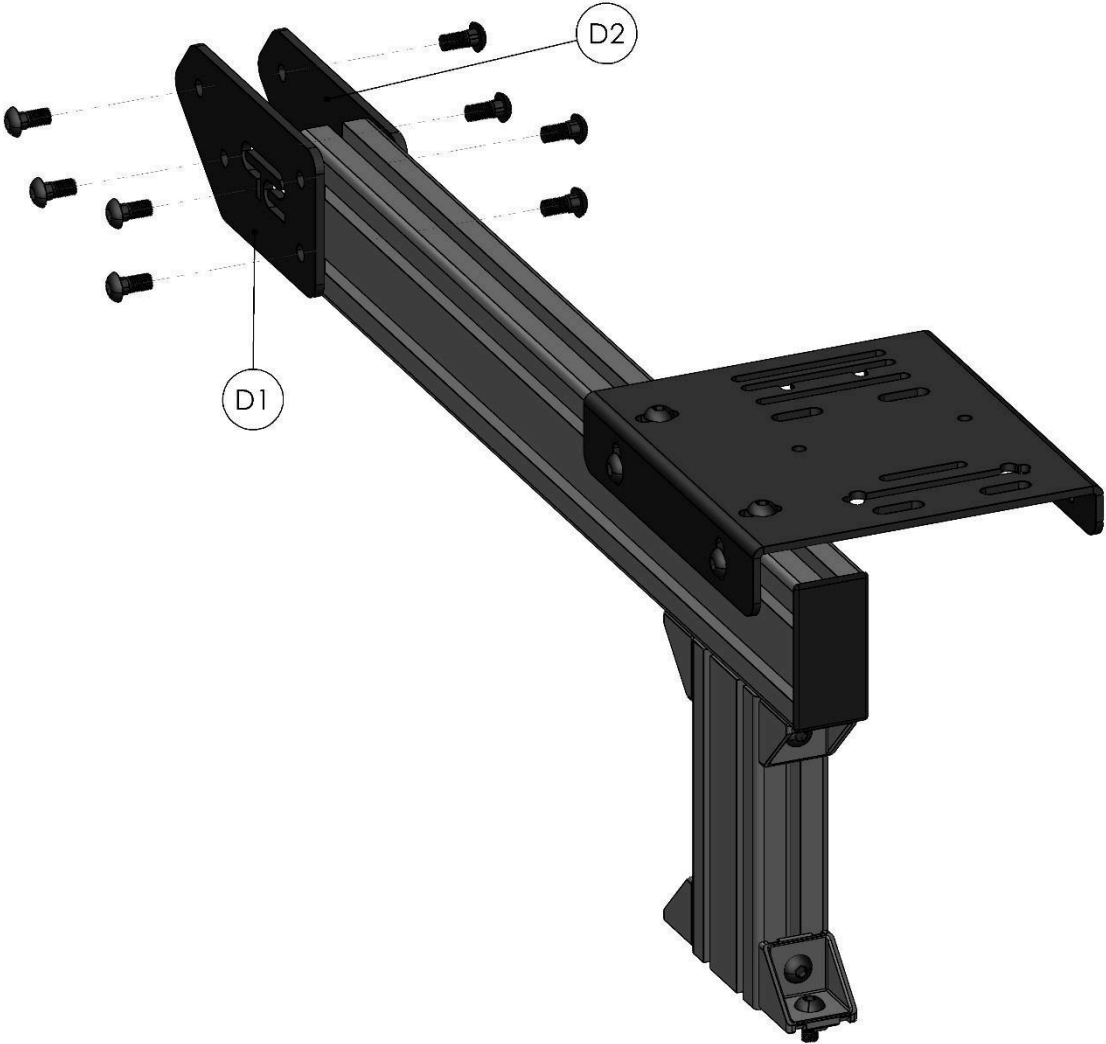
Item nr.	Description	Qty
A	Profile 4080 600mm	1
B	Profile 4080 170mm	1
1	M8 bolt	8
2	M8 t-slot nut	8
3	Corner bracket 4040	4
4	End cap 4080	1

# Step 2



Item nr.	Description	Qty
C	Shifter base	1
1	M8 bolt	4
2	M8 t-slot nut	4

# Step 3



Item nr.	Description	Qty
D1	Shifter bracket left	1
D2	Shifter bracket right	1
1	M8 bolt	8
2	M8 t-slot nut	8